

**COMPACT AND ROBUST COMPONENTS FOR
A WIDE RANGE OF APPLICATIONS
BUTTERFLY VALVE WITH TWO FLANGES**



Everywhere where flexible connections are required. A rubber or a cloth collar connects to the downstream element. Typical example: Between silo and scale, sieving machine etc.

Areas of Application

- Three operating types:
 - H = Hand driven
 - EP = Electro-pneumatic actuation
 - GM = Motor actuation
- Every time there is a change in the operating procedure, it is possible to change the butterfly valves to another operating type.

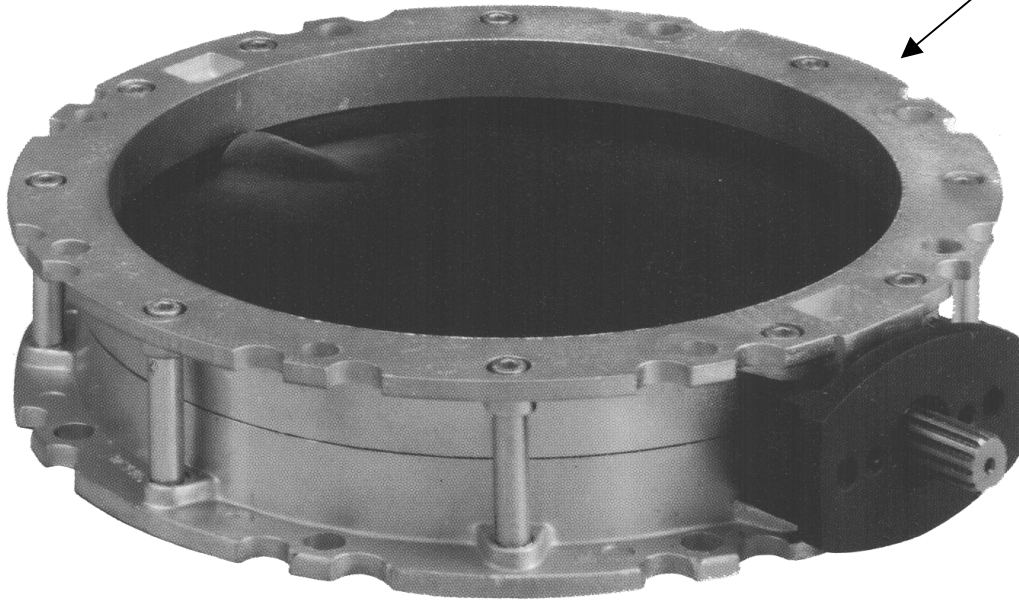
Details / Explanation

- Flap body: Aluminum (Chill casting)
- Flap plate: Material grade GG with neoprene-rubber coating
- Journal Extension: Material grade C40, with self-lubricating plastic bushes which do not encounter with the material.

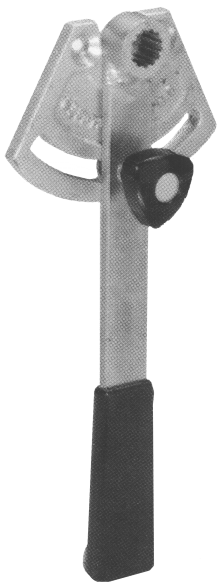
Finish

Basic Unit / Operating types:

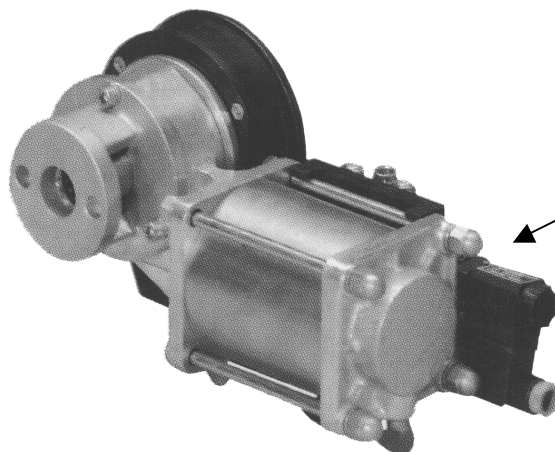
Basic unit F2



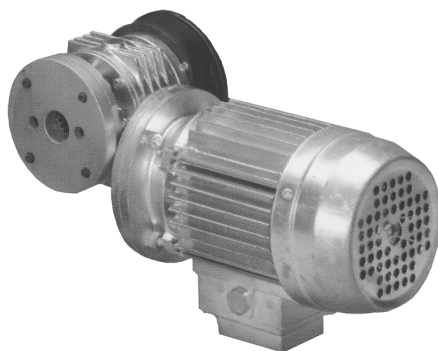
H = Hand driven



**EP = Electro-pneumatic
actuation**



**GM = Drive motor
actuation**



Technical Data Butterfly valve F2

Operating type	Hand driven (H)	Electro-pneumatic (EP)	Drive motor (GM)
Flange diameter ø mm	150, 200, 250, 300	100, 150, 200, 250, 300, 350, 400	100, 150, 200, 250, 300, 350, 400
Actuation	H2, H3	EP80, EP100, EP125	GM2, GM3
Solenoid valve	--	MV5/2-4 = ¼ " thread plug	--
Coil	--	230V AC	--
Limit switch	--	Micro switch, end switch open / close	--

Article number Butterfly valve F2

Operating type	Hand driven (H)	Electro-pneumatic (EP)	Drive motor (GM)
	Article number	Article number	Article number
Flange diameter ø 100 mm	711 10 027	711 10 014	711 10 048
Flange diameter ø 150 mm	711 10 028	711 10 012	711 10 037
Flange diameter ø 200 mm	711 10 029	711 10 015	711 10 038
Flange diameter ø 250 mm	711 10 030	711 10 016	711 10 039
Flange diameter ø 300 mm	711 10 001	711 10 017	711 10 040
Flange diameter ø 350 mm	711 10 031	711 10 018	711 10 041
Flange diameter ø 400 mm	711 10 032	711 10 019	711 10 042
MGV 24V DC Additional charge	--	--	--
Limit switch	--	711 10 060	711 10 060